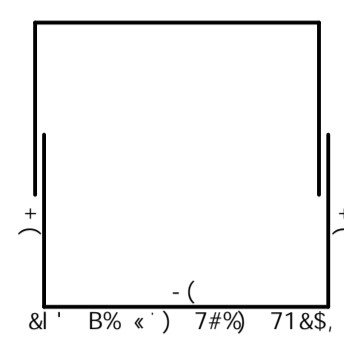
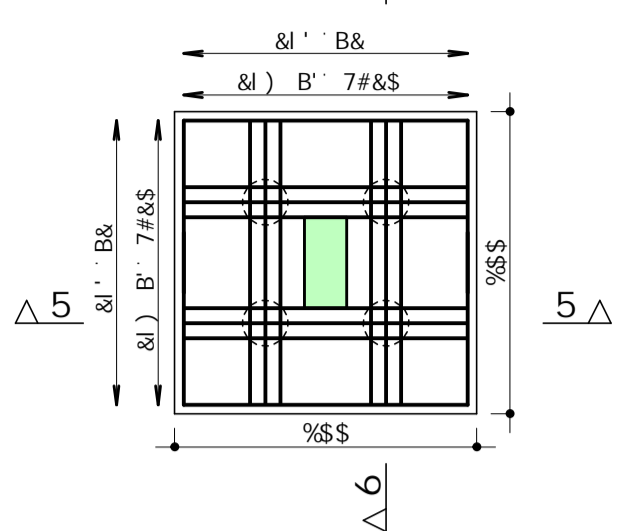


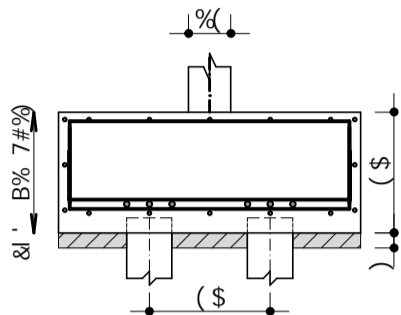
8YgYb\c' df cXi n] Xc' dcf' j Yfg-c' UWUX..a] WUz' df c] V] Xc' i gc' WcaYf W] U

6%+
f19G75@5' % &) t

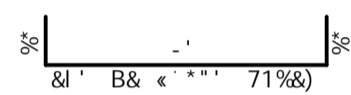
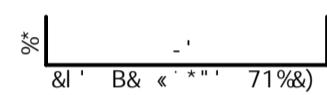
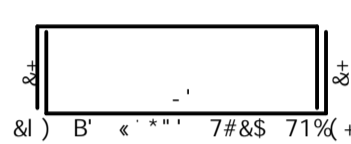
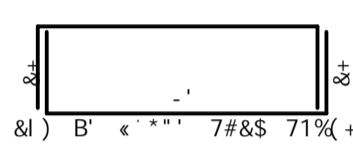
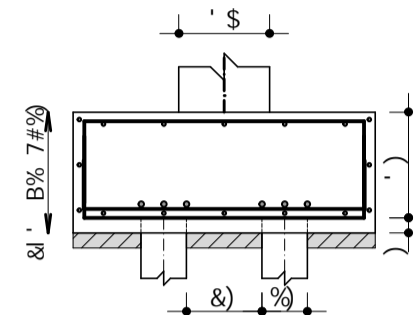
D@5BH5 6 Δ



7CFH9' 5' ! 5



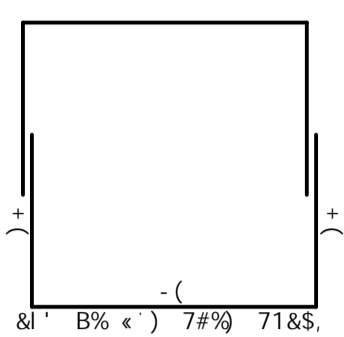
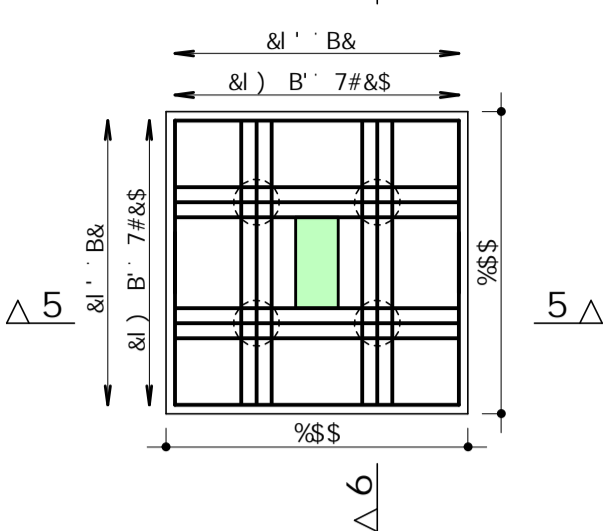
7CFH9' 6' ! 6



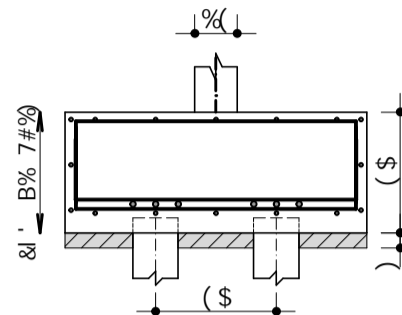
8YgYb\c' df cXi n] Xc' dcf' j Yfg-c' UWUX..a] WUz' df c] V] Xc' i gc' WcaYf W] U

6%
f19G75@5' % &) t

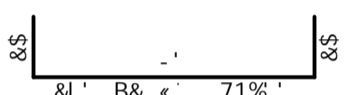
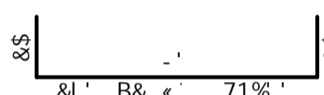
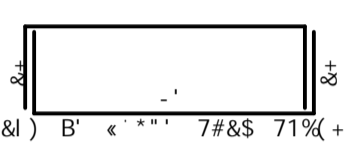
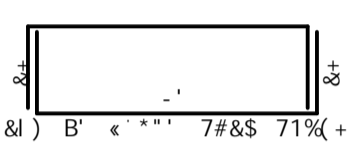
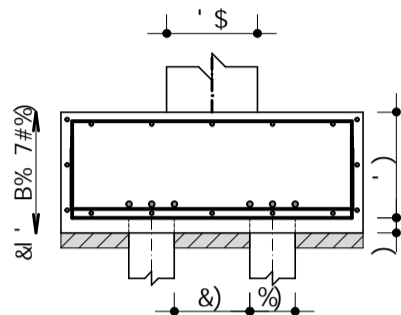
D@5BH5 6 Δ



7CFH9' 5' ! 5



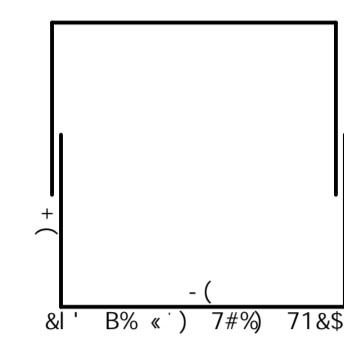
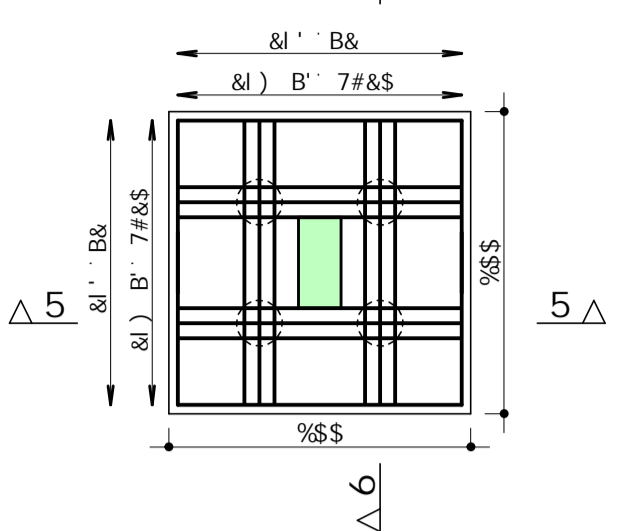
7CFH9' 6' ! 6



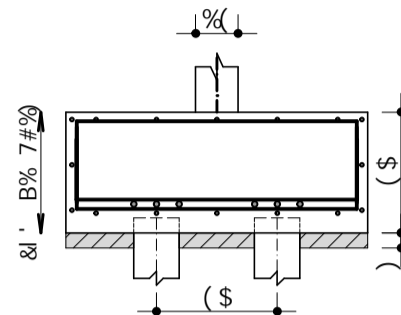
8YgYb\c' df cXi n] Xc' dcf' j Yfg-c' UWUX..a] WUz' df c] V] Xc' i gc' WcaYf W] U

6%
f19G75@5' % &) t

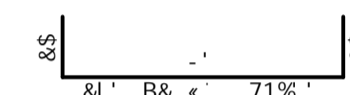
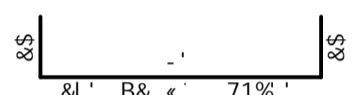
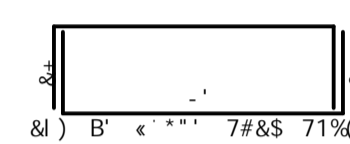
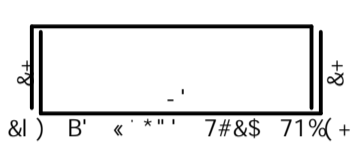
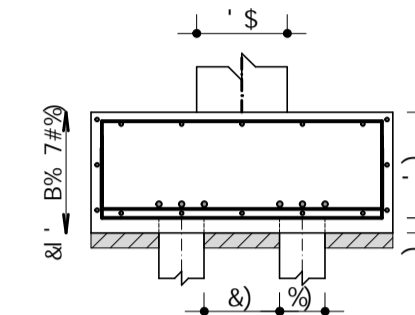
D@5BH5 6 Δ



7CFH9' 5' ! 5



7CFH9' 6' ! 6



8YgYb\c' df cXi n] Xc' dcf' j Yfg-c' UWUX..a] WUz' df c] V] Xc' i gc' WcaYf W] U

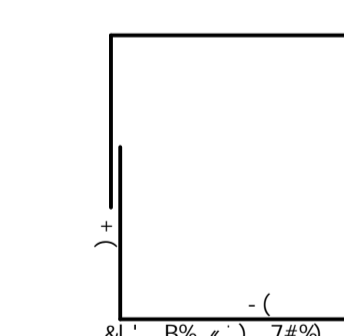
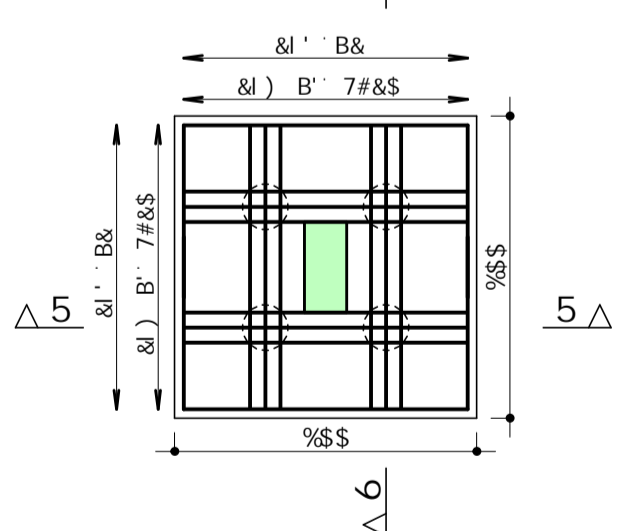
5uC	DCG	6-H	EI 5BH	7CADF=A9BHC	I B=H	HCH5@
		aa			Wb	Wb
6%+	\$5	%		%&	%&	%&
	\$5	&		%&	%&	%&
	\$5			%&	%&	%&
6%	\$5	%		%&	%&	%&
	\$5	&		%&	%&	%&
	\$5			%&	%&	%&
6&&	\$5	%		%&	%&	%&
	\$5	&		%&	%&	%&
	\$5			%&	%&	%&
6&&	\$5	%		%&	%&	%&
	\$5	&		%&	%&	%&
	\$5			%&	%&	%&

F9GI AC: 89' 5uC			
5uC	6-H	7CADF	D9GC
	aa	a	[Z
\$5			%&
\$5			%&
\$5			%&
DYgc' HchU	\$5' 1		%& Z
DYgc' HchU	\$5' 1		+% Z

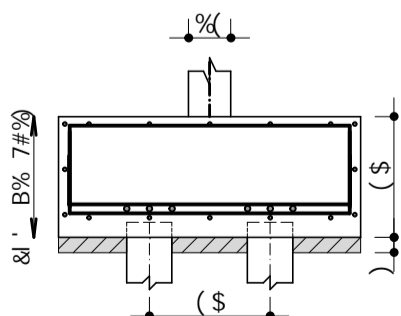
8YgYb\c' df cXi n] Xc' dcf' j Yfg-c' UWUX..a] WUz' df c] V] Xc' i gc' WcaYf W] U

6&&
f19G75@5' % &) t

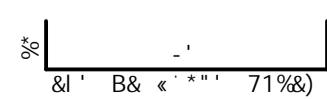
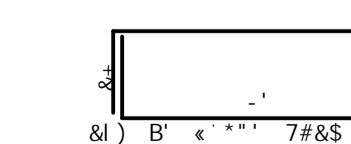
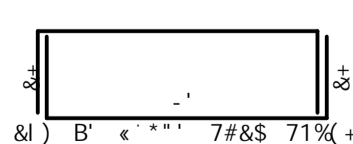
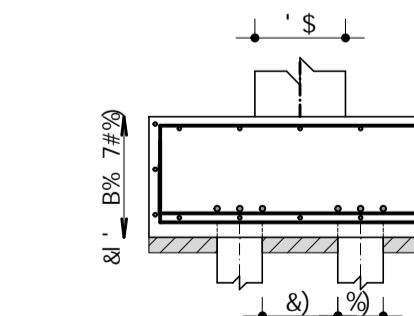
D@5BH5 6 Δ



7CFH9' 5' ! 5



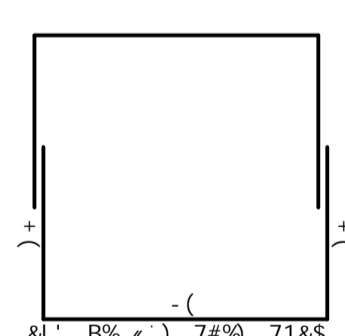
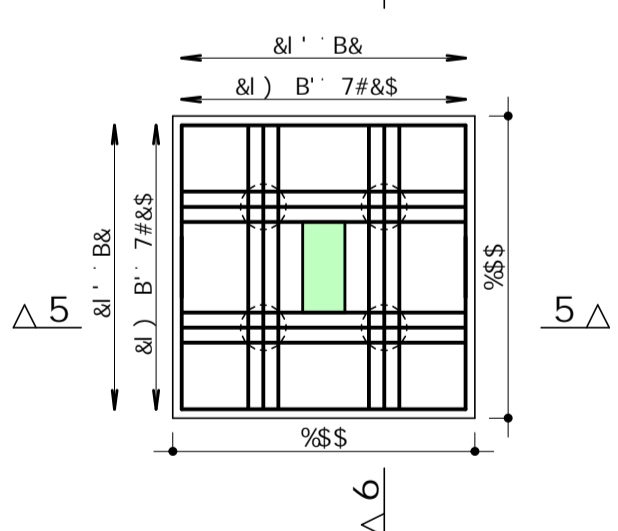
7CFH9' 6' ! 6



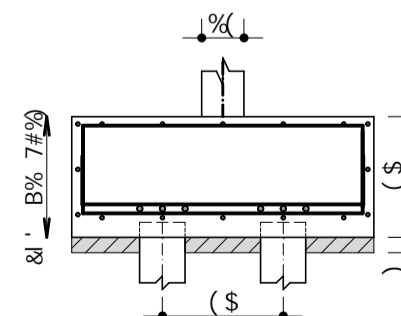
8YgYb\c' df cXi n] Xc' dcf' j Yfg-c' UWUX..a] WUz' df c] V] Xc' i gc' WcaYf W] U

6&&
f19G75@5' % &) t

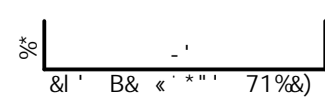
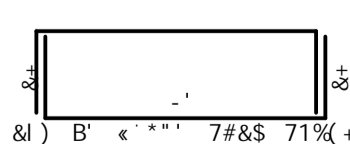
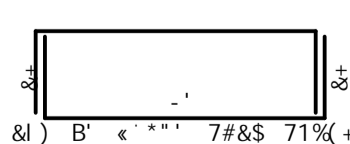
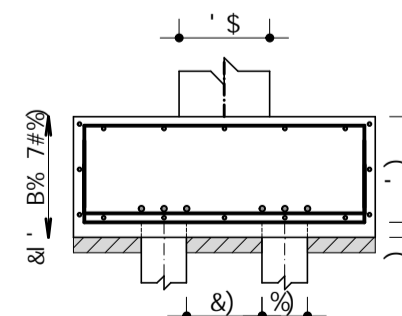
D@5BH5 6 Δ



7CFH9' 5' ! 5



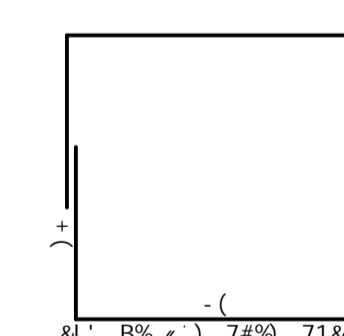
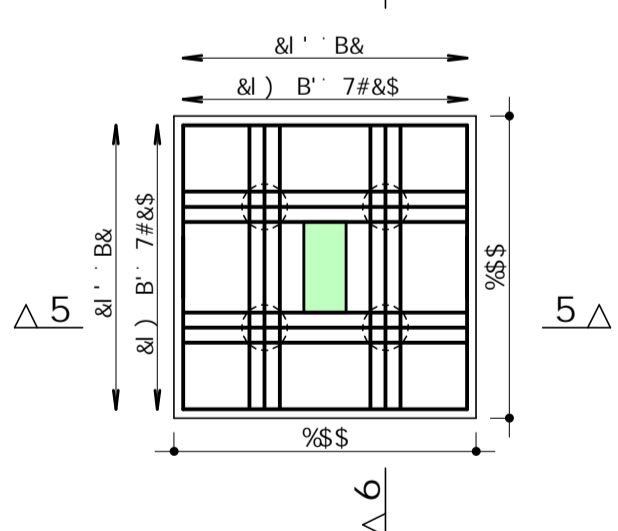
7CFH9' 6' ! 6



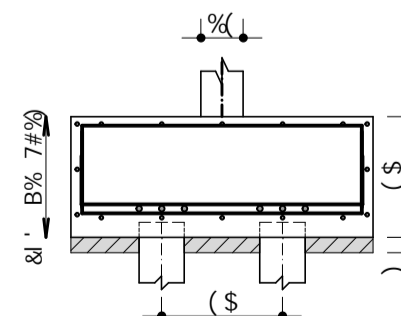
8YgYb\c' df cXi n] Xc' dcf' j Yfg-c' UWUX..a] WUz' df c] V] Xc' i gc' WcaYf W] U

6&&
f19G75@5' % &) t

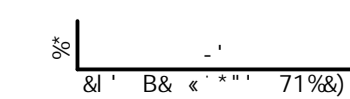
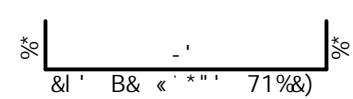
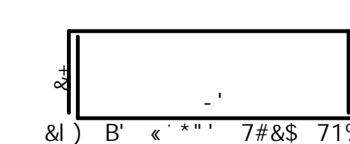
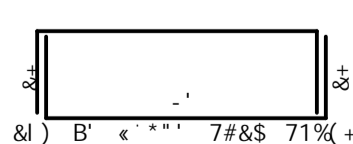
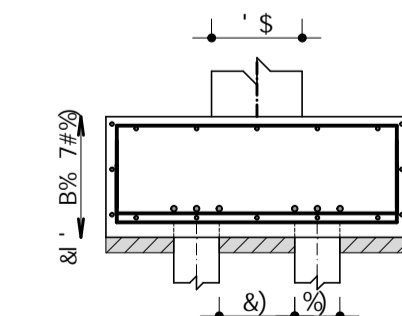
D@5BH5 6 Δ



7CFH9' 5' ! 5



7CFH9' 6' ! 6



FYj	8Uhu	5i hcf	5ggi bhc
\$S	& #S' #&&S&&	GI G5BM 6CB-BI 756F5@	

7CB7F9HC ZVL 1 &) ADU 97G 1 JYF' bUAMUubhu 7b-9BR	CFB5 B' C \$\$\$+
PREFEITURA MUNICIPAL DE BOM RETIRO ESTRUTURAL VESTIARIOS ARMAÇÃO SAPATAS	99G' B' C \$\$\$+
6%+ # 6% # 6% # 6&& 6&& # 6&&	F9J' B' C \$\$
B5H5 & #S' #&&S&& (% &)	9G75@5 (% &)
8909B-C 9GH' I BI : I BI \$S+I FSS	7C3F8'
98' €	