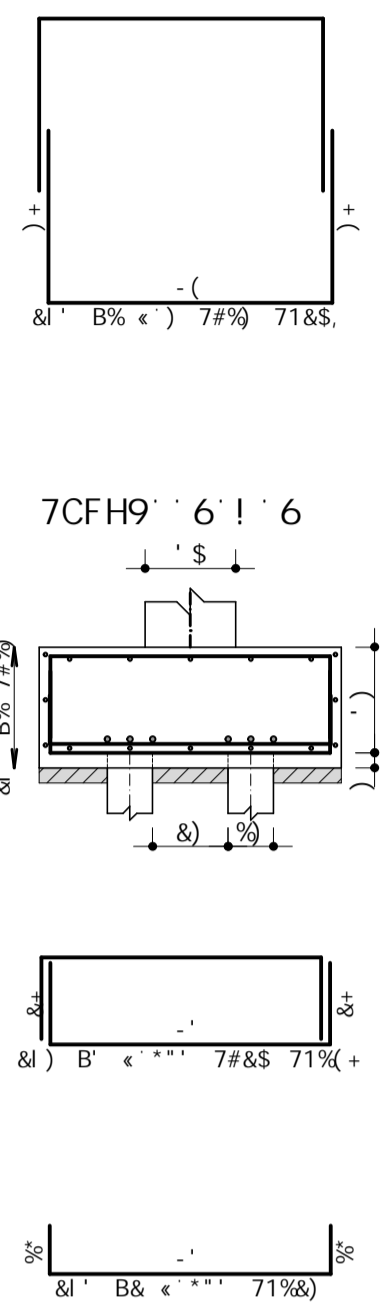
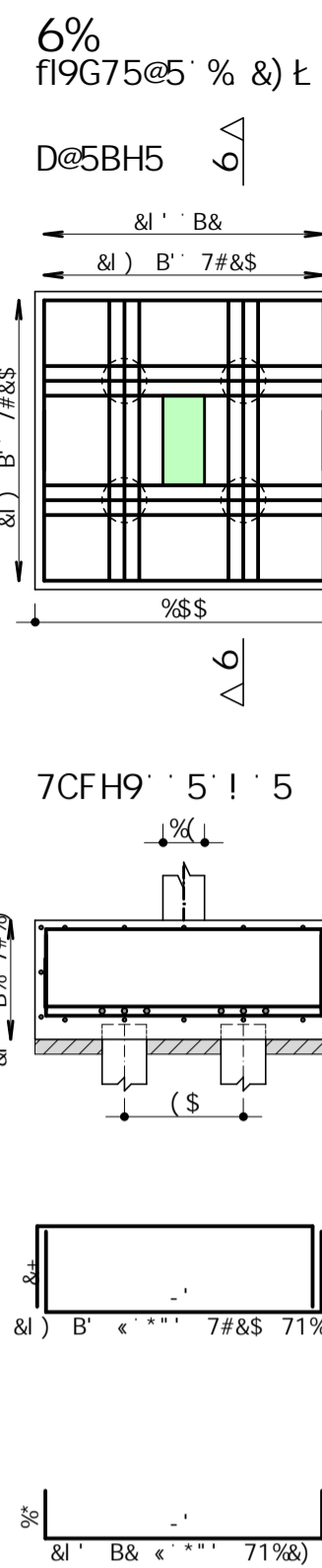
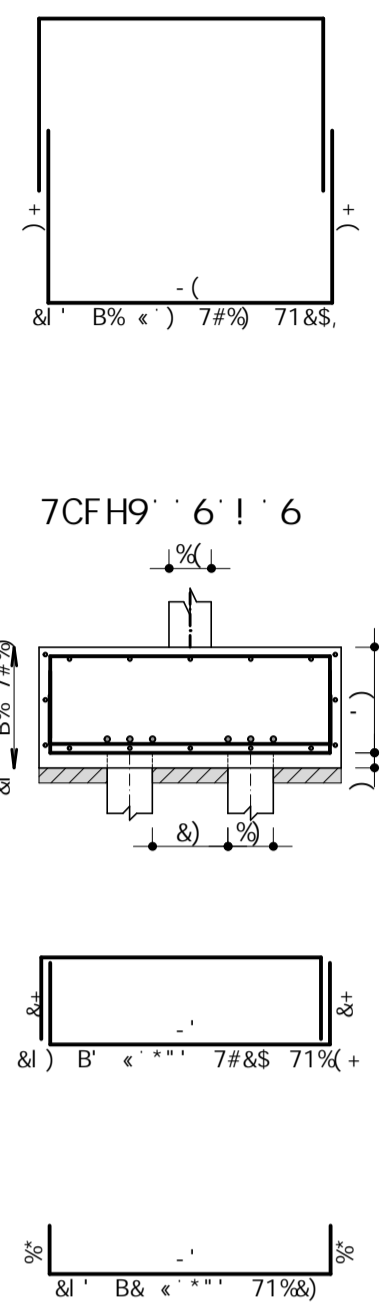
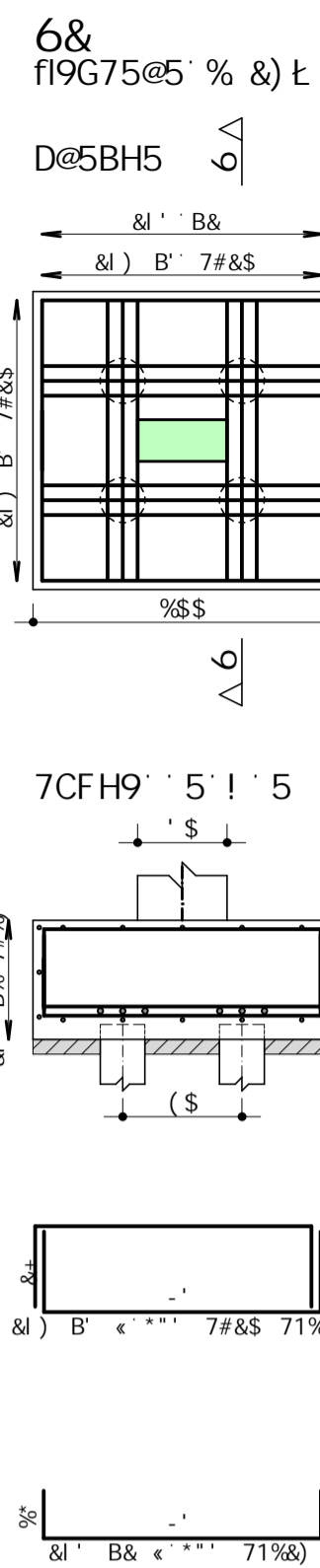


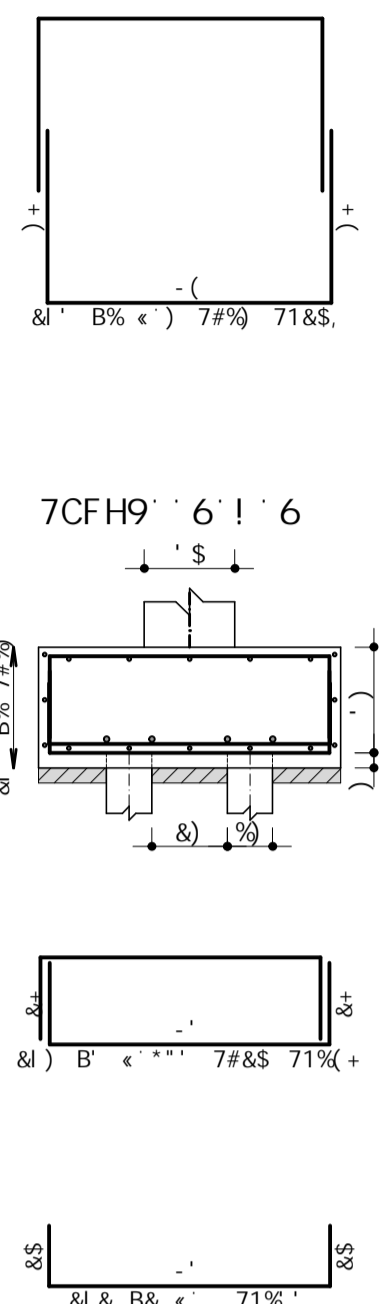
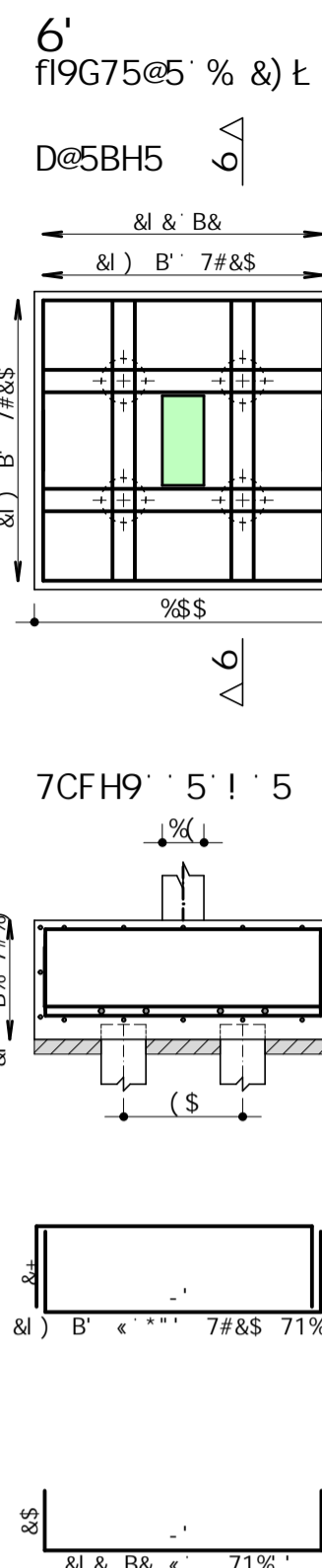
8YgYb\c: dfcXi n] Xc: dcf: j Yfg-c: UWUX..a] WUz: dfc] V] Xc: i gc: WcaYfW] U



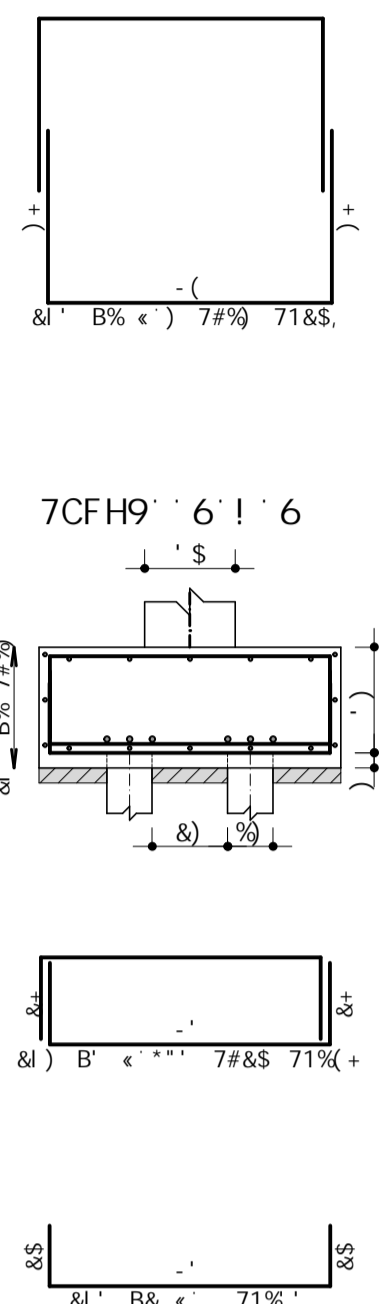
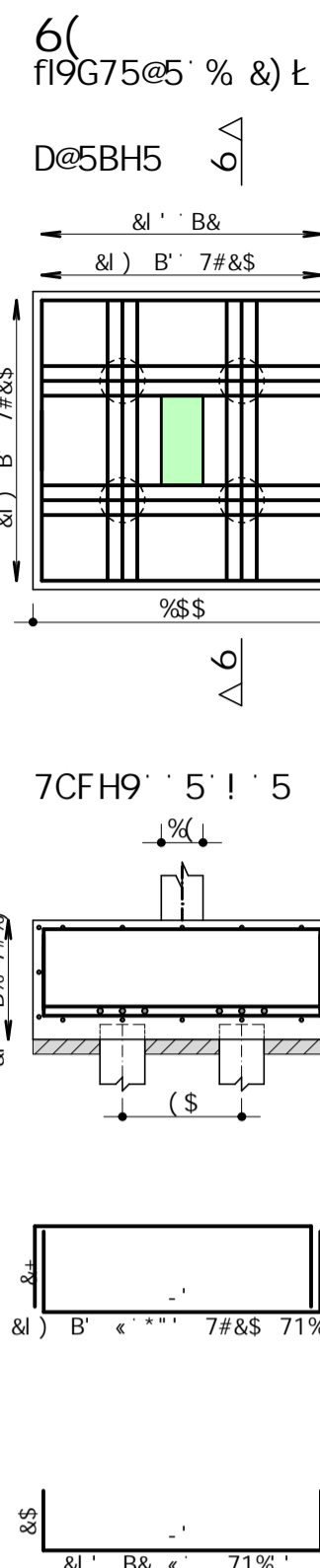
8YgYb\c: dfcXi n] Xc: dcf: j Yfg-c: UWUX..a] WUz: dfc] V] Xc: i gc: WcaYfW] U



8YgYb\c: dfcXi n] Xc: dcf: j Yfg-c: UWUX..a] WUz: dfc] V] Xc: i gc: WcaYfW] U



8YgYb\c: dfcXi n] Xc: dcf: j Yfg-c: UWUX..a] WUz: dfc] V] Xc: i gc: WcaYfW] U

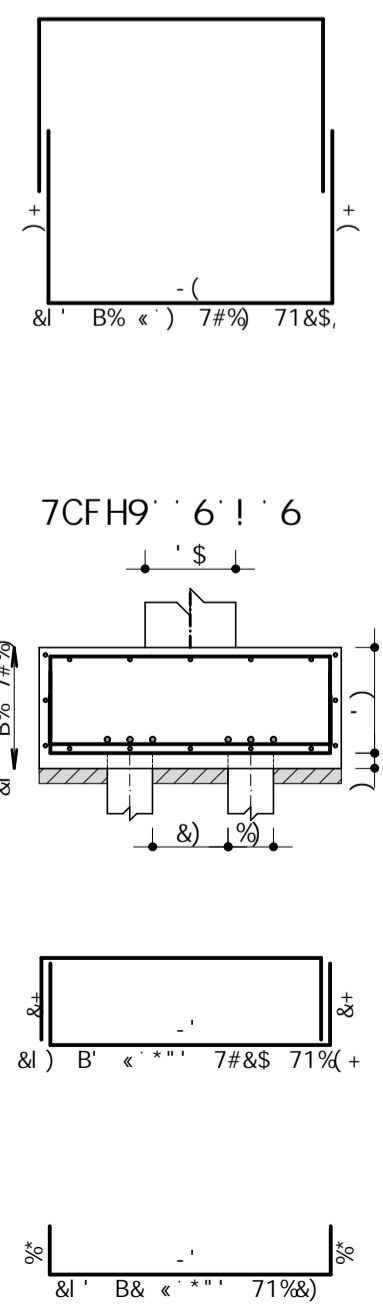
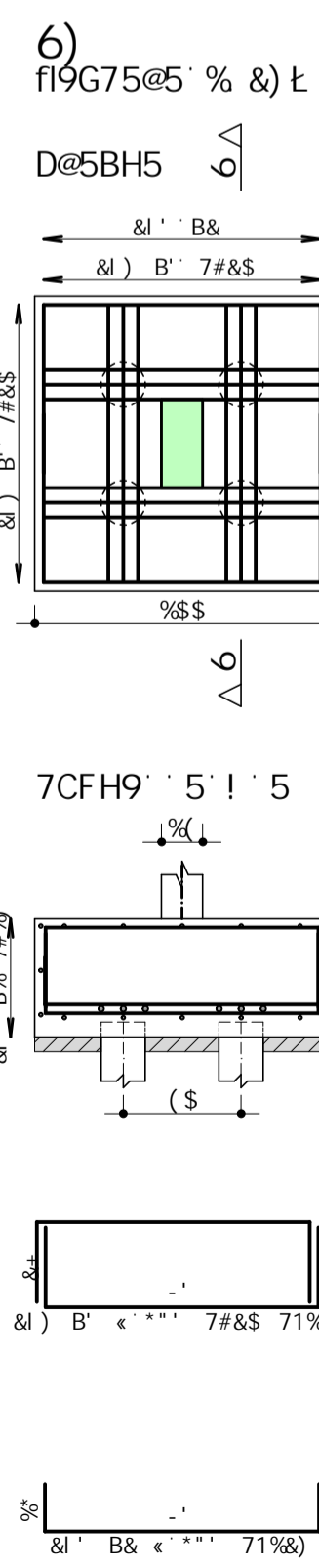


8YgYb\c: dfcXi n] Xc: dcf: j Yfg-c: UWUX..a] WUz: dfc] V] Xc: i gc: WcaYfW] U

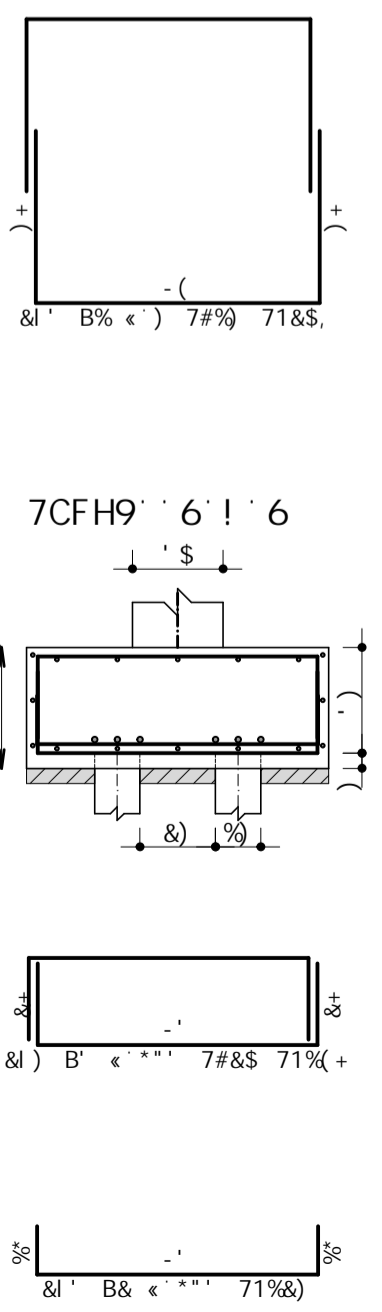
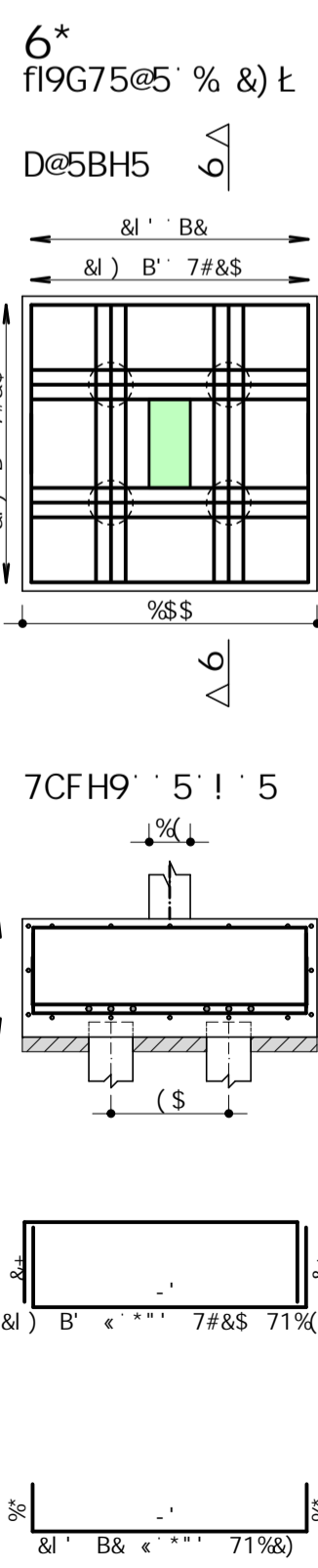
	5uC	DCG	6=H	EI 5BH	7CADF=A9BHC	I B=H	HCH5@
			aa			Wb	Wb
6%	\$5	\$5	\$5	\$5	\$5	\$5	\$5
6&	\$5	\$5	\$5	\$5	\$5	\$5	\$5
6'	\$5	\$5	\$5	\$5	\$5	\$5	\$5
6(\$5	\$5	\$5	\$5	\$5	\$5	\$5
6)	\$5	\$5	\$5	\$5	\$5	\$5	\$5
6+)	\$5	\$5	\$5	\$5	\$5	\$5	\$5
6,	\$5	\$5	\$5	\$5	\$5	\$5	\$5

F9GI AC 89 5uC			
5uC	6=H	7CADF	D9GC
	aa	a	Z
\$5	\$5	\$5	\$5
\$5	\$5	\$5	\$5
DYgc: HchU	\$5 1		
DYgc: HchU	\$5 1		

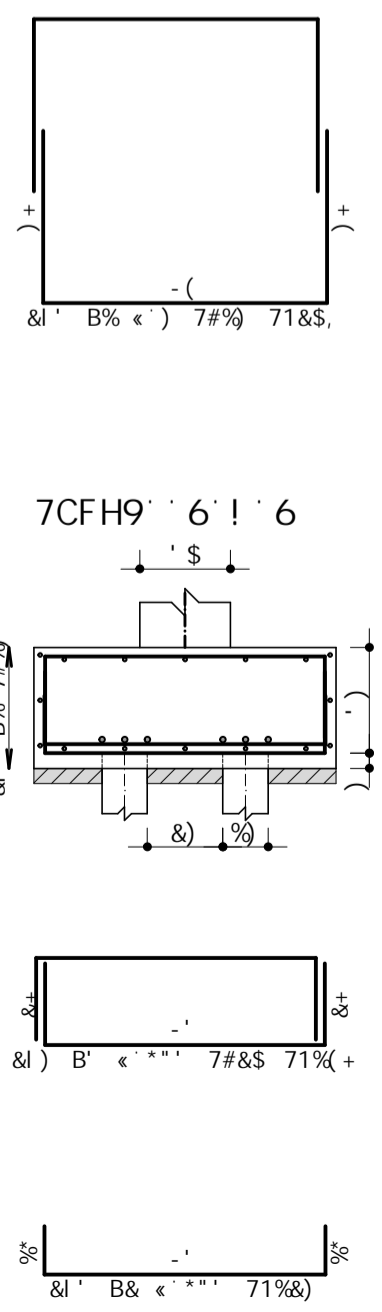
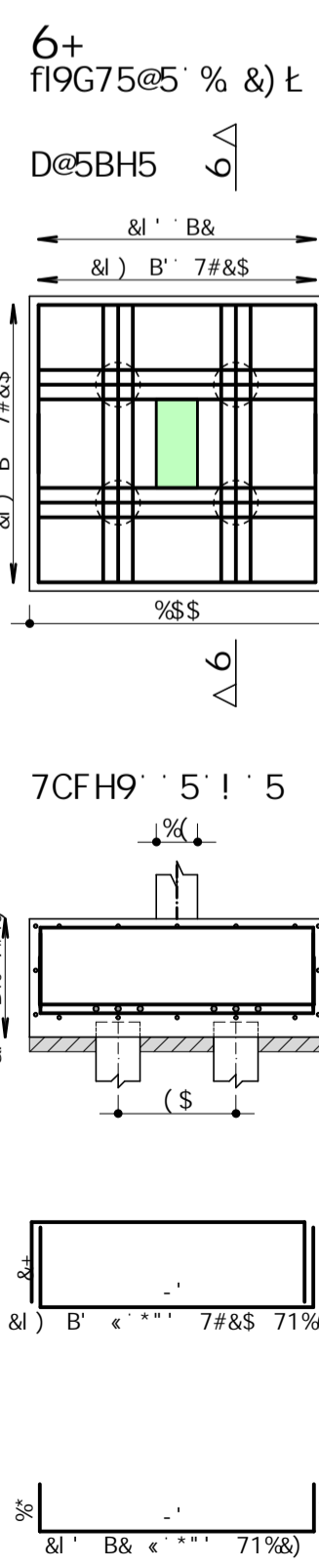
8YgYb\c: dfcXi n] Xc: dcf: j Yfg-c: UWUX..a] WUz: dfc] V] Xc: i gc: WcaYfW] U



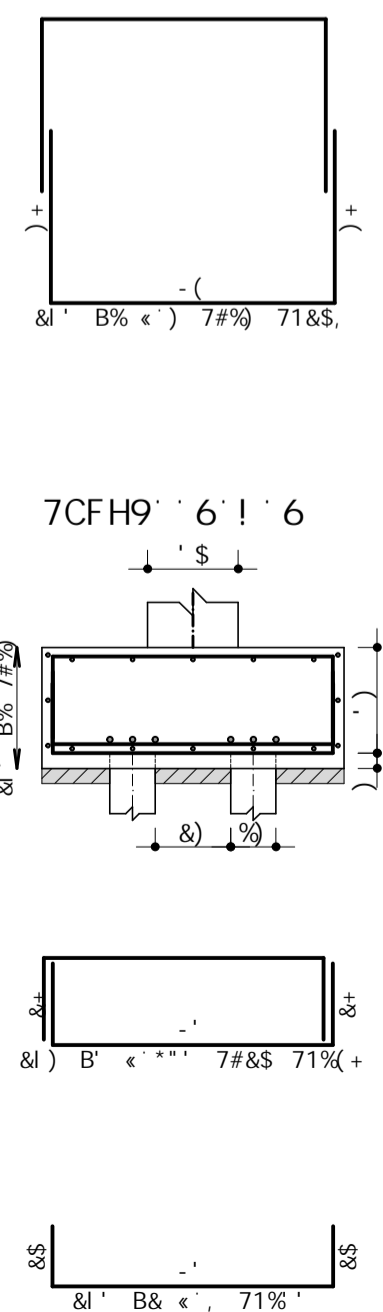
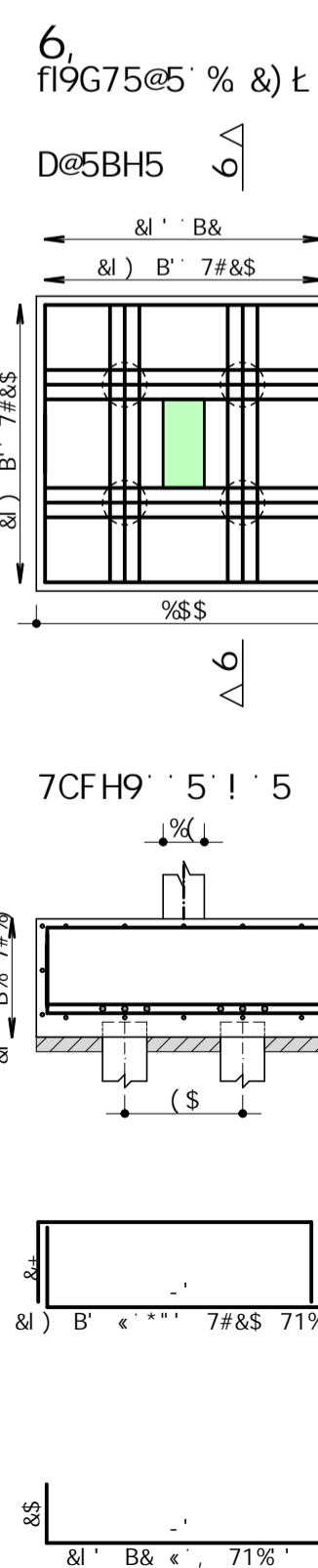
8YgYb\c: dfcXi n] Xc: dcf: j Yfg-c: UWUX..a] WUz: dfc] V] Xc: i gc: WcaYfW] U



8YgYb\c: dfcXi n] Xc: dcf: j Yfg-c: UWUX..a] WUz: dfc] V] Xc: i gc: WcaYfW] U



8YgYb\c: dfcXi n] Xc: dcf: j Yfg-c: UWUX..a] WUz: dfc] V] Xc: i gc: WcaYfW] U



FYj	8UhU	5i hcf	5ggi bhc
\$S	& #S' #&S&&	GI G5BM 6CB-B	756F5@

7CB7F9HC	ZVL 1 &)	ADU	97G 1 JYF	bUABUubhu
PREFEITURA MUNICIPAL DE BOM RETIRO				
ESTRUTURAL VESTIARIOS				
ARMAÇÃO SAPATAS				
6% # 6& # 6' # 6(# 6)				
6* # 6+ # 6,				
CF 5	\$\$\$			CF 5
H-H IC	\$\$)			F9J' B' C
				\$\$